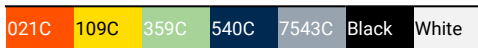


# Northern lights


Northern lights is a wall game where children, by turning the wheels, can help the balls (comets) make a journey through space.

The rectangular wall game has a natural, modern frame made of birch plywood with a white painted front which compliments many environments.

Graphic colours Pantone no.



## Play module | Northern lights

Article no.	Frame colour	Colour code	Size HxWxD	Mounting	Age	KG	
PP00702	White	RAL 9003	70x45x3,55cm	wallmount	2 - 8 years	5,9 KG	Birch Plywood, RVS, MDF, PVC, PP



**TÜV SGS** All our products are inspected, tested and certified by SGS and TÜV.

**EN 71** European standard EN 71 specifies safety requirements for toys. Compliance with the standard is legally required for all toys sold in the European Union.

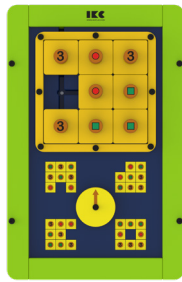
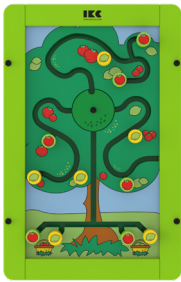
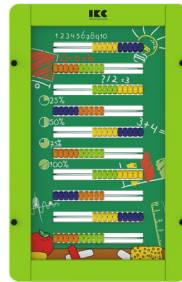
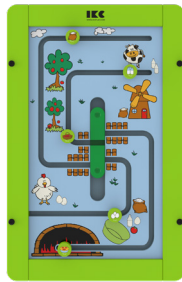
**FSC** All our products only use FSC certified wood, so eco- and environment friendly!

**CE** Our products conform with health, safety and environmental protection standards for products sold within the EU.

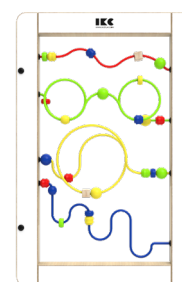
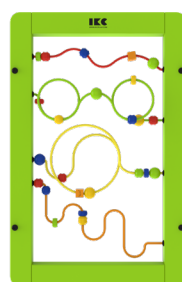
**IKC | HQ EUROPE**  
 Dronten | The Netherlands  
 +31 (0)321 38 77 30  
 sales@ikcplay.com  
 www.ikcplay.com

**IKC | HQ ASIA**  
 Shanghai | China  
 +86 (0)573 82 58 61 83  
 sales.cn@ikcplay.com  
 www.ikcplay.com.cn

● Playable on one side



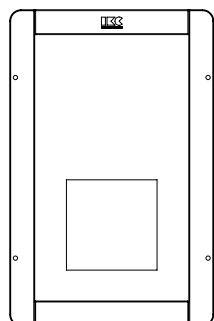
■ Playable on both sides



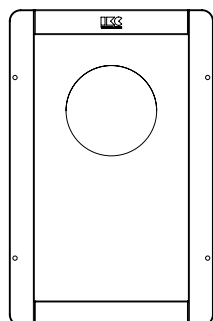
**Play Module**

■ PM<sup>A</sup>

● PM<sup>B</sup>



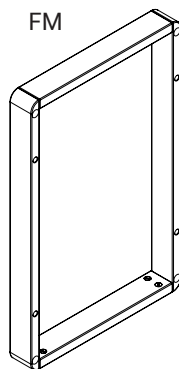
Playable on one side



Playable on both sides

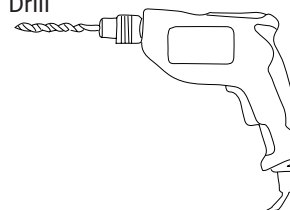
**FM Frame**

FM



**Required tools**

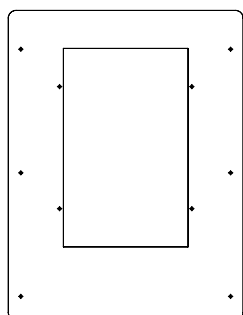
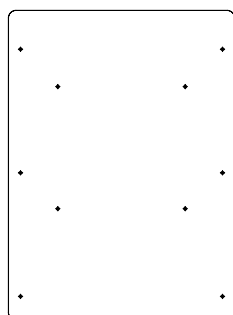
Drill



**Fence mounted**

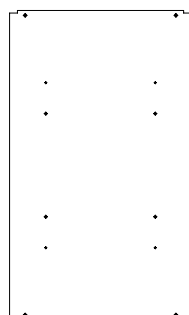
FP<sup>A</sup>

FP<sup>B</sup>



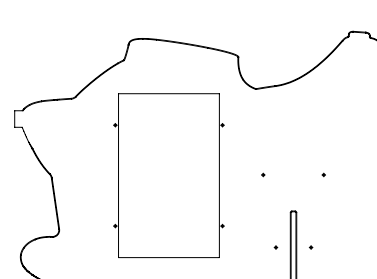
**Playtower mounted**

PP



**Play system mounted**

PS



Play system of choice

**Screws**

S4

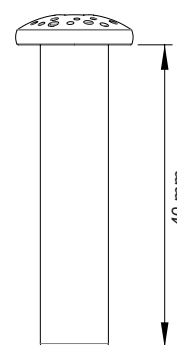
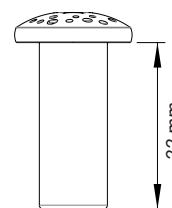
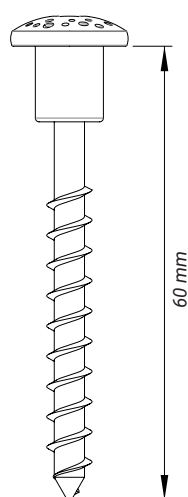
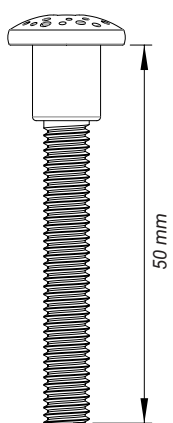
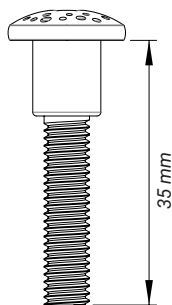
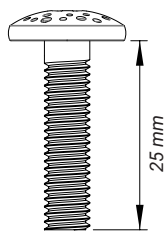
S9

S13

S16

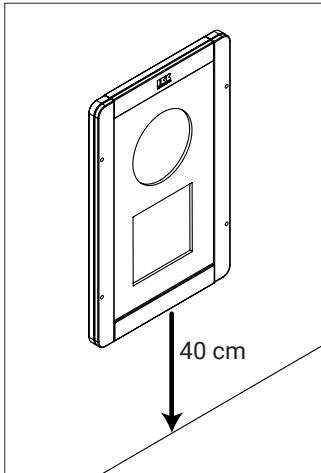
S18

S19

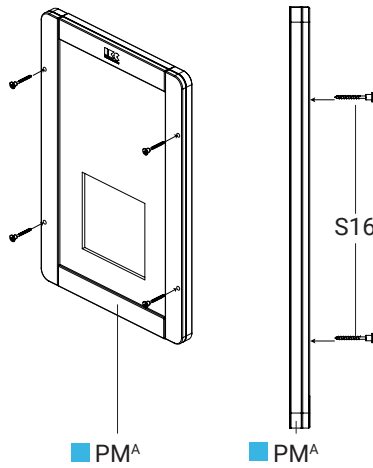


**Play Module** ■ PM<sup>A</sup> ● PM<sup>B</sup>

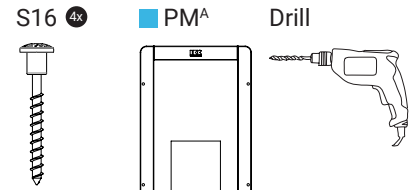
All the play modules need to be mounted 40 cm above the ground. This is for the optimum play comfort.



**1.1 Play Module**

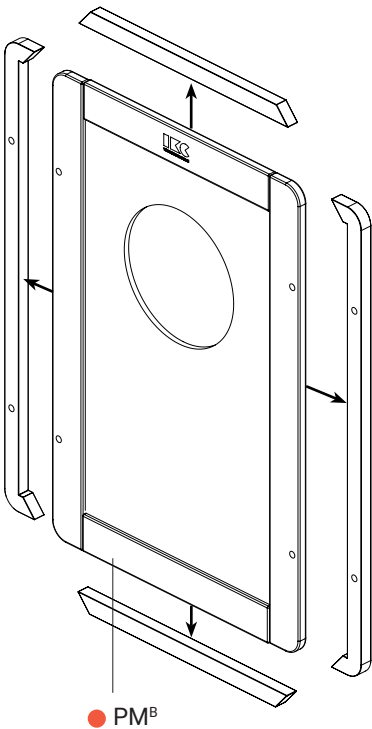


**Required tools**

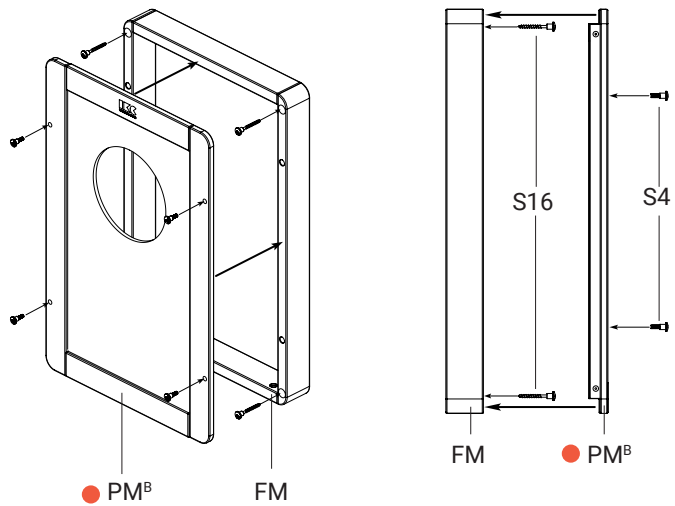
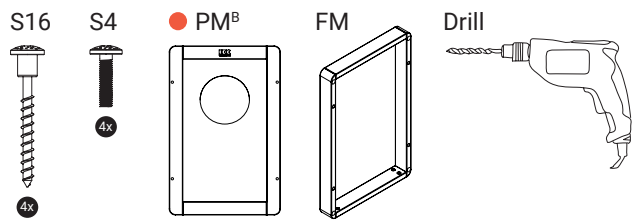


**2.1 Play Module with FM Frame** ● PM<sup>B</sup>

To put a playmodule on a FM frame, you should remove these slats.

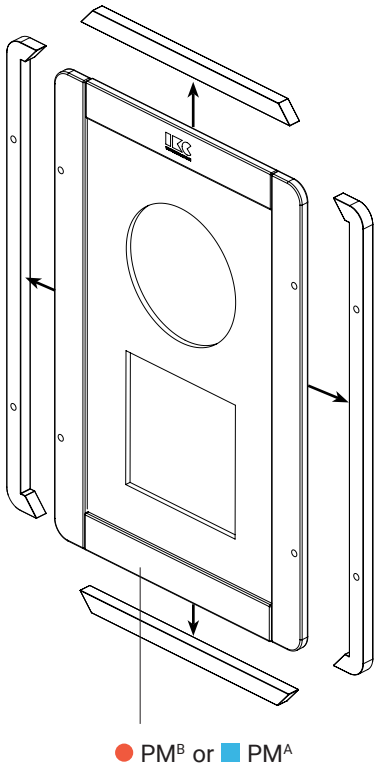


**2.2 Play Module install FM Frame** ● PM<sup>B</sup>

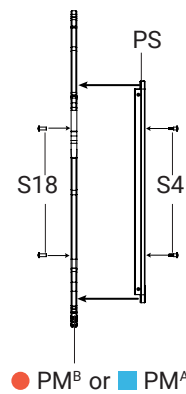
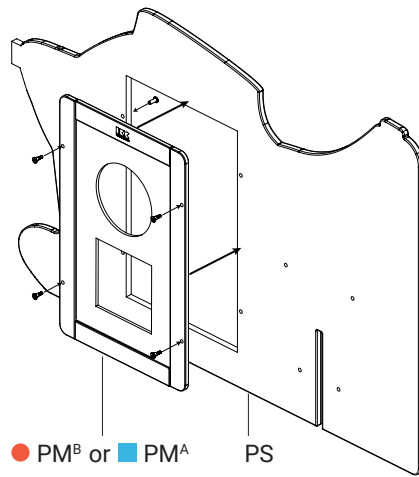


**3.1 Play module** ■ PM<sup>A</sup> ● PM<sup>B</sup>

To put a play module on a playsystem, you should remove these slats.

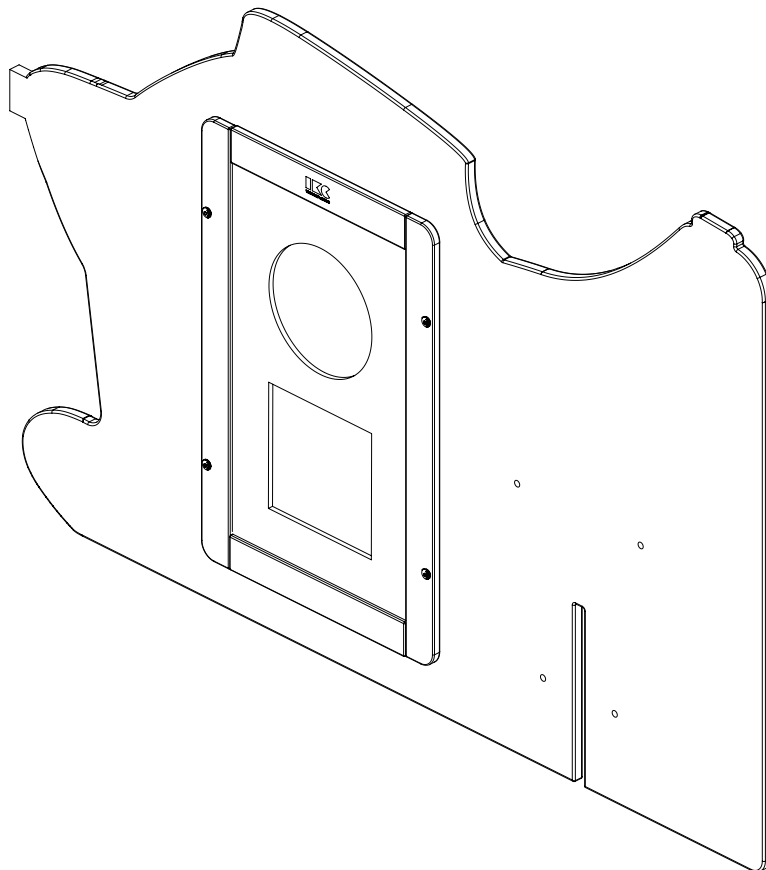
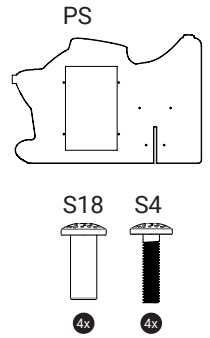


**3.2 Play module on play system**



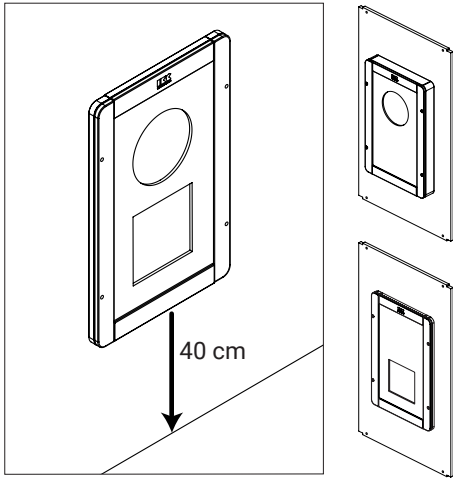
**Required tools**

● PM<sup>B</sup> or ■ PM<sup>A</sup>



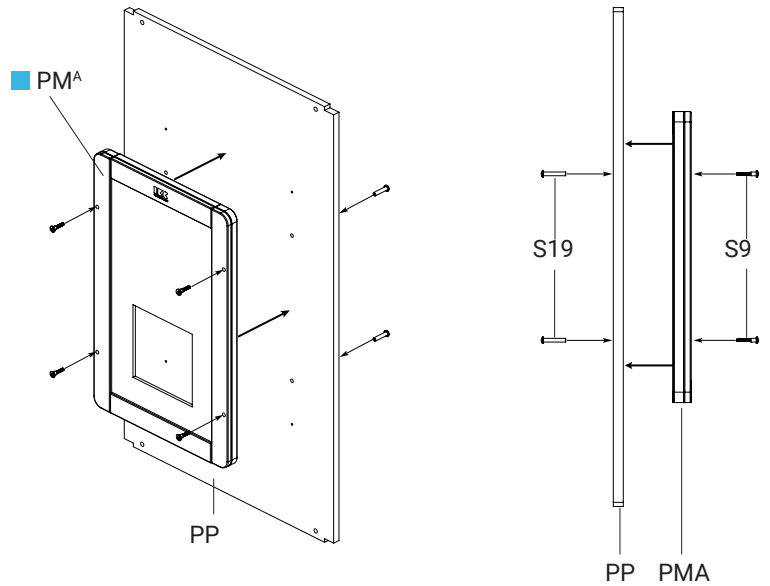
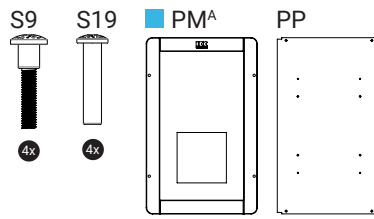
**Play module** ■ PM<sup>A</sup> ● PM<sup>B</sup>

All the play modules needs to be mounted 40 cm above the ground. This is for the optimum play comfort.



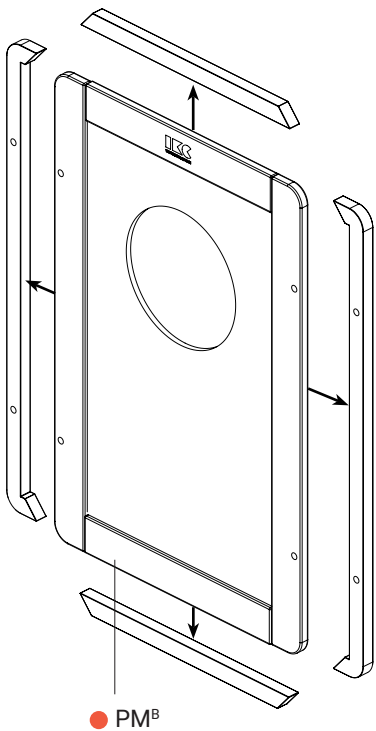
**4.1 Install play module on play tower**

**Required tools**



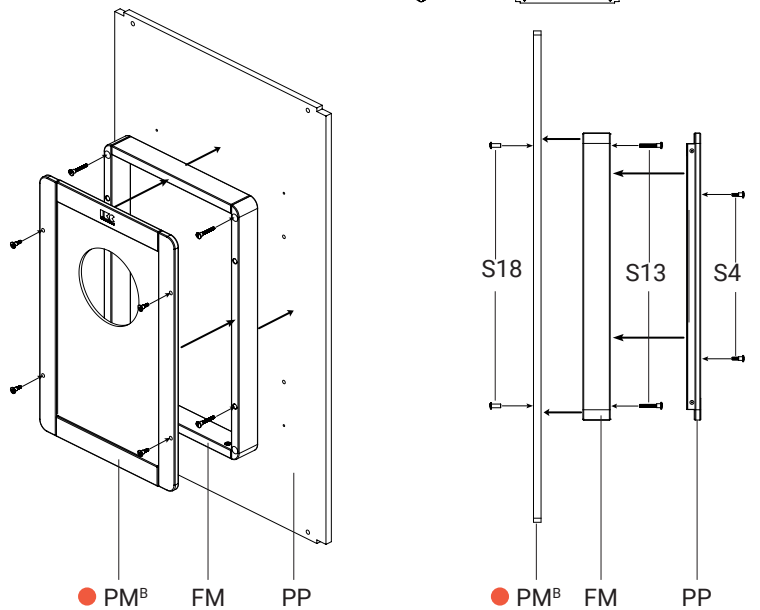
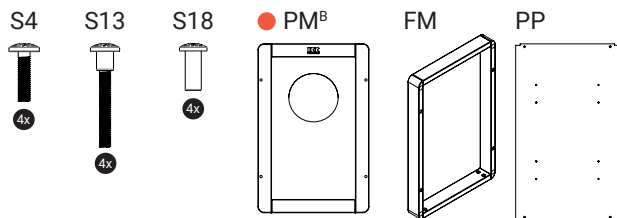
**5.1 Install FM Frame to play module** ● PM<sup>B</sup>

To put a playmodule on a FM frame, you should remove these slats.



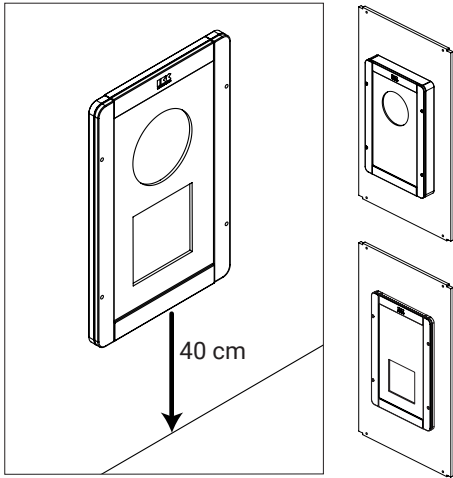
**5.2 Install play module with FM frame on play tower**

**Required tools**



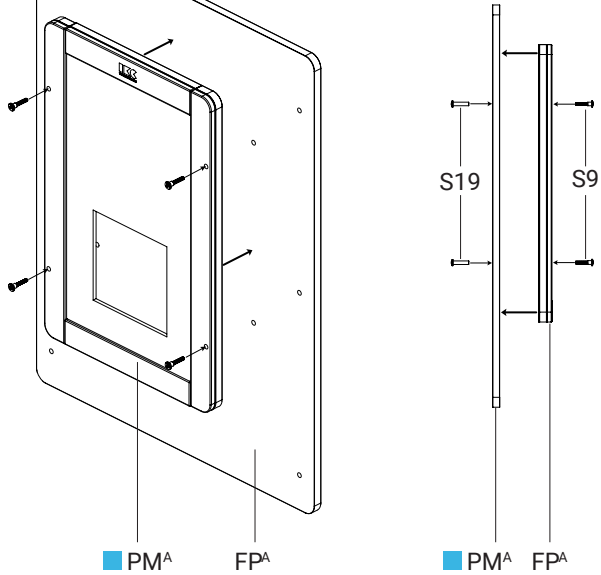
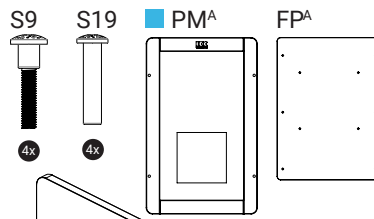
**Play module** ■ PM<sup>A</sup> ● PM<sup>B</sup>

All the play modules need to be mounted 40 cm above the ground. This is for the optimum play comfort.



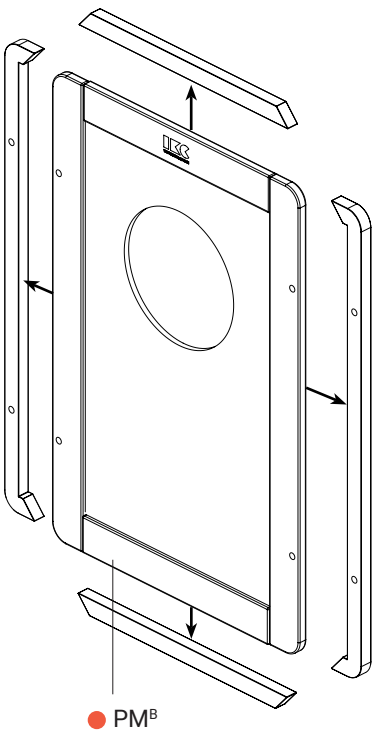
**6.1 Install play module on fence**

**Required tools**



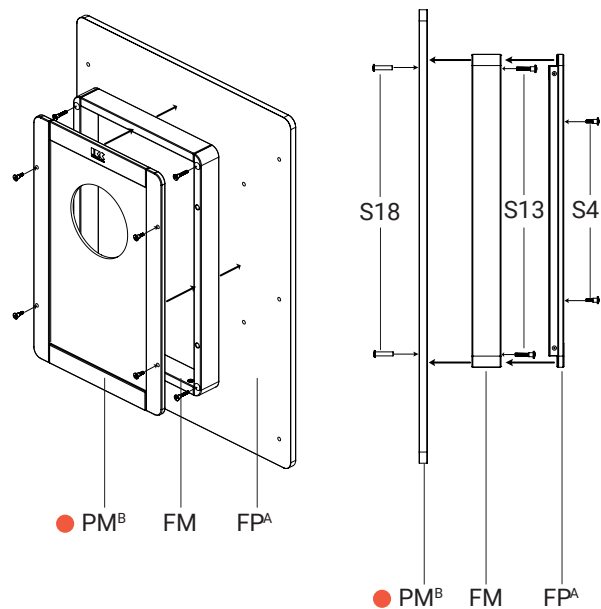
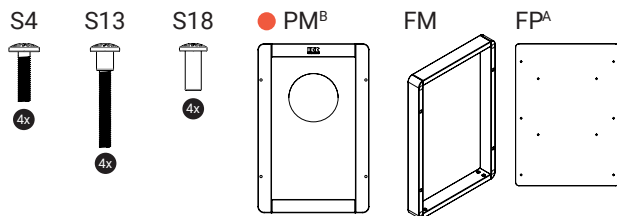
**7.1 Install FM Frame to play module** ● PM<sup>B</sup>

To put a play module on a FM frame, you should remove these slats.



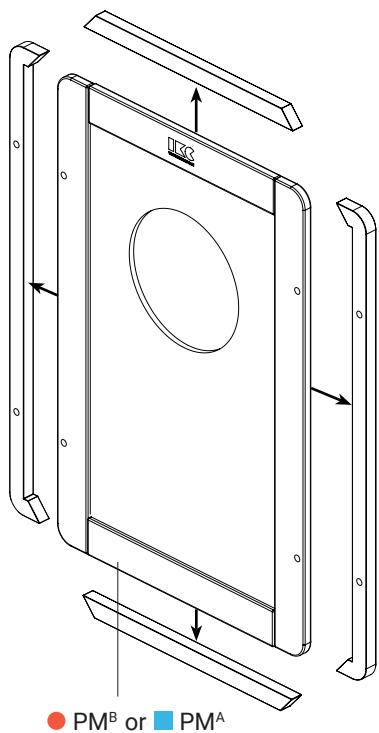
**7.2 Install play module with FM frame on fence**

**Required tools**

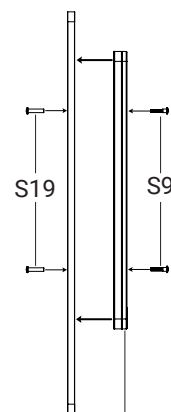
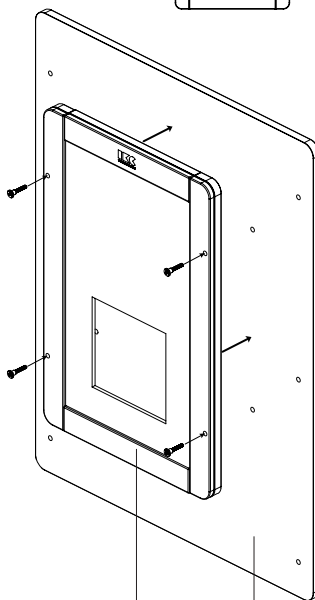
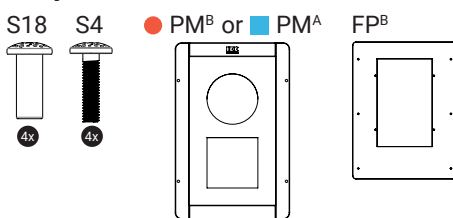


**8.1 Remove the slats** ● PM<sup>B</sup> ■ PM<sup>A</sup>

To put a playmodule on a fence (FP<sup>B</sup>), you should remove these slats.



**8.2 Install play module on fence**  
**Required tools**



● PM<sup>B</sup> or ■ PM<sup>A</sup> FP<sup>A</sup> ● PM<sup>B</sup> or ■ PM<sup>A</sup> FP<sup>A</sup>

